

AVI 1/8I-16-5 Vacuum Cup Adaptor

Part No.: 0213146

Product Features:

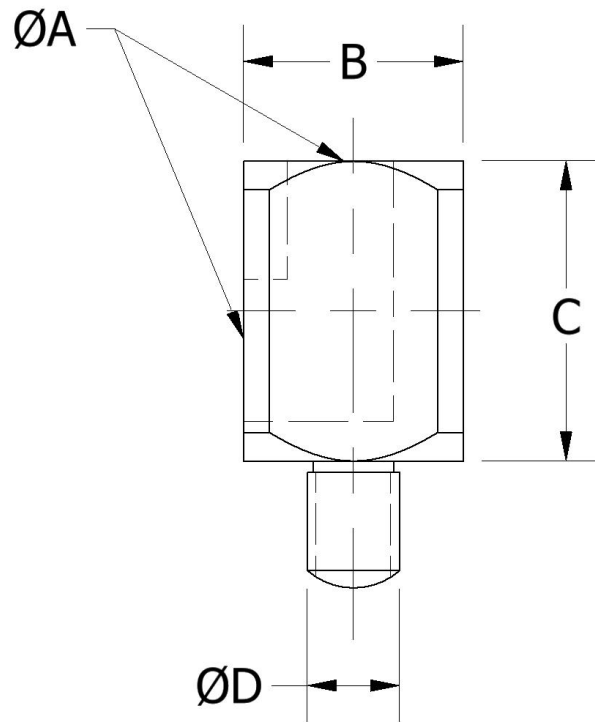
- Mounts a vacuum cup / suction cup to a KHZ short stroke cylinder.
- Used to secure parts with edges perpendicular to the mold face.



Scan QR code
with the
**piPARTS
SHOP** App

AVAILABLE
NOW





A	B	C	D	Weight (g)
G 1/8"	16	21	M5 x .8	30