



GAF 14-M-15 Spring Loaded Gripper Arm

Part No.: 0213050

Product Features:

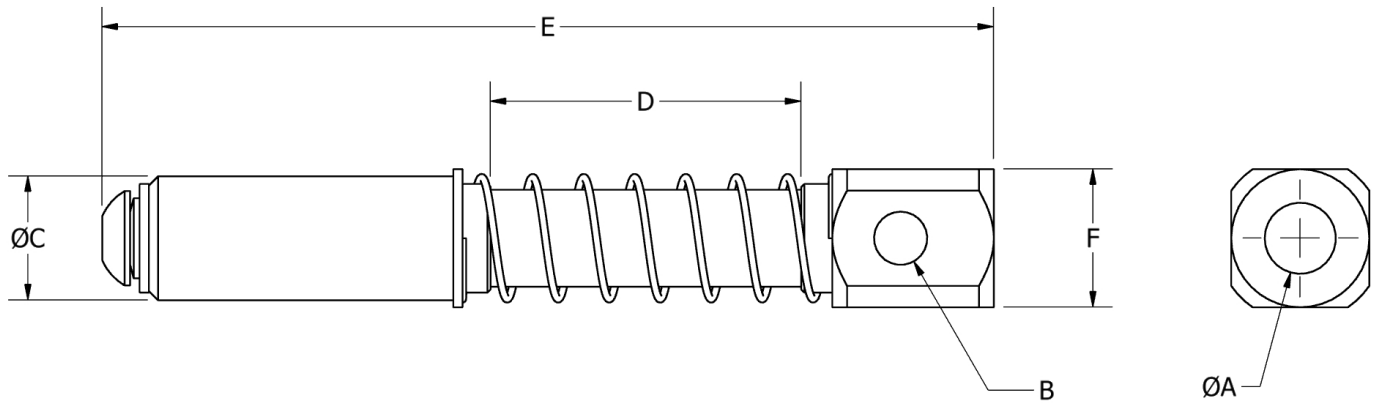
- Extends and mounts vacuum cups to mounting clamps.
- Side ported for quick-touch pneumatic hose connectors.
- Spring-loaded for part compliance.
- Threaded shafts include jam nuts and lock washers for plate mounting.



Scan QR code
with the
**piPARTS
SHOP** App

AVAILABLE
NOW





A	B	C	D	E	F	Weight (g)
G 1/8"	G 1/8"	M14 X 1.5	15	72	16	55