

WSD 1/8 L-X Adjustable Angle Connector

Part No.: 0214765

Product Features:

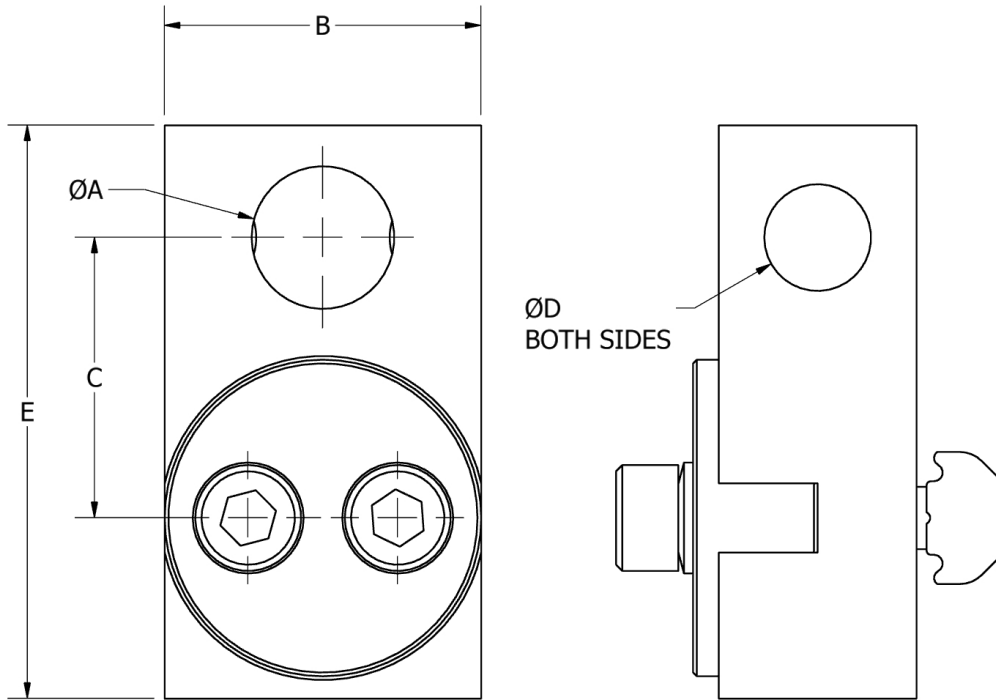
- Allows for low profile height by mounting vacuum cups directly to the frame profile.
- Adjustable along the frame profile and at any rotational angle.



Scan QR code
with the
**piPARTS
SHOP** App

AVAILABLE
NOW





| A | B | C | D | E | Angle | Weight (g) |
|--------|----|----|--------|----|-------|------------|
| G 1/8" | 25 | 23 | G 1/8" | 46 | 360 | 60 |