

VS 0-10x30 S Oval Vacuum Cup / Suction Cup

Part No.: 0215780

Product Features:

- Oval cups for long narrow parts
- Sealing ring included



Scan QR code
with the
**piPARTS
SHOP** App

AVAILABLE
NOW



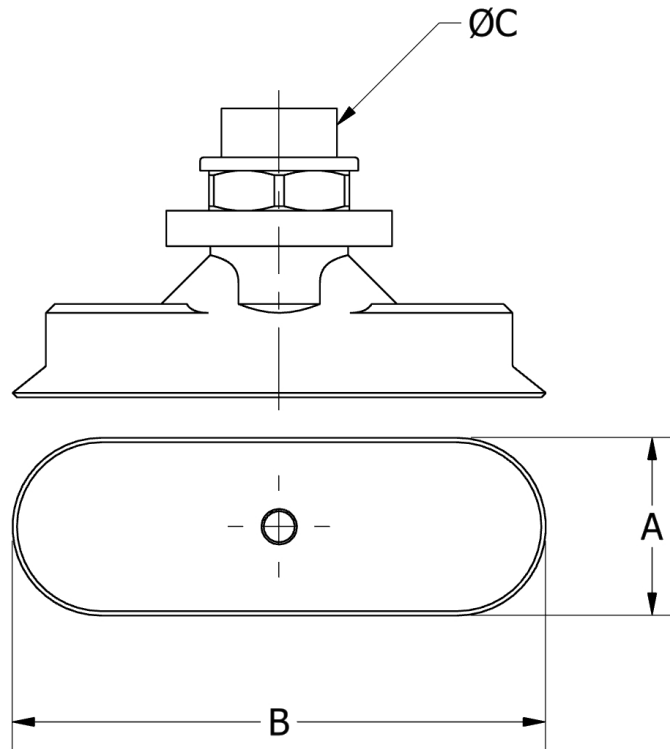
Material

Silicone (SIL)	
Color	Translucent
Hardness	50 °Shore A
Temperature	-40 - 220 °C

Material resistance

Silicone (SIL)	
Alcohol	++
Concentrated acids	-
Ethanol	N/A
Hydrolysis	+
Methanol	N/A
Oil	-
Oxidation	+++
Gasoline	-
Wear resistance	++
Weather and ozone	+++

- +++ Recommended
- ++ Good, minor chemical attack
- + Limited, moderate chemical attack, limited service
- Not recommended



Silicone (S) Cup Material						
A	B	C	Weight (g)	Replacement Cup	Weight (g)	Adapter
10	30	G 1/8"	7	VN 0-10x30-S	1	VSA 20